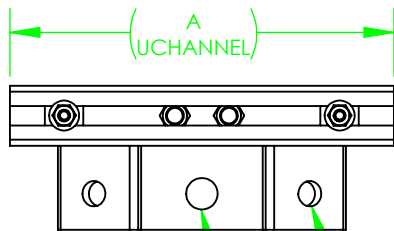
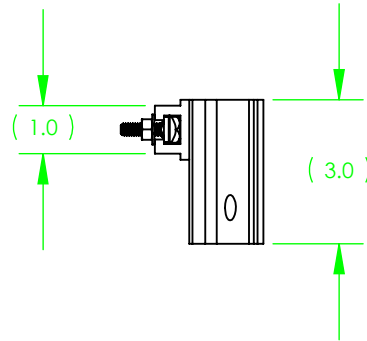


1/4" 5/16" OR 3/8" STAINLESS STEEL HARDWARE



.53 DIA  
FOR 1/2" LAG

.66 DIA  
FOR 5/8" BOLT



PART NUMBER	CHANNEL LENGTH A	HARDWARE SIZE
PBPNW-8U-NH	8	NO HARDWARE
PBPNW-8U-00 1/4"	8	1/4"
PBPNW-8U-00 5/16"	8	5/16"
PBPNW-8U-00	8	3/8"
PBPNW-12U-NH	12	NO HARDWARE
PBPNW-12U-00 1/4"	12	1/4"
PBPNW-12U-00 5/16"	12	5/16"
PBPNW-12U-00	12	3/8"
PBPNW-16U-NH	16	NO HARDWARE
PBPNW-16U-00 1/4"	16	1/4"
PBPNW-16U-00 5/16"	16	5/16"
PBPNW-16U-00	16	3/8"
PBPNW-24U-NH	24	NO HARDWARE
PBPNW-24U-00 1/4"	24	1/4"
PBPNW-24U-00 5/16"	24	5/16"
PBPNW-24U-00	24	3/8"



NOTES:

The PBPNW-METER BRACKET is an all aluminum bracket with stainless steel hardware. There are two holes for 1/2" lag and one hole for 5/8" bolt. The mounting hardware can be ordered as 1/4" 5/16" or 3/8" sizes.

**Nehrweg USA Inc.**  
 1412 E ST. RD. 250 BROWNSTOWN IN. 47220  
 WEB PAGE [www.nehrweg.com](http://www.nehrweg.com)  
 PHONE 812-358-4593  
 EMAIL: [Sales@nehrweg.com](mailto:Sales@nehrweg.com)

DRAWN BY	MATL.	SCALE	CUSTOMER
DATE	RC	DWG. NO.	PROJECT
QTY	SHEET OF		PART NAME <b>PBPNW-METER CHART DRAWING</b>